

Drain: RICHARD MOFFITT DRAIN **Drain #:** 229
Improvement/Arm: LEXINGTON FARMS - SECTION 11
Operator: JOH **Date:** 4-26-04
Drain Classification: Urban/Rural **Year Installed:** 1990

GIS Drain Input Checklist

- Pull Source Documents for Scanning JB
- Digitize & Attribute Tile Drains N/A
- Digitize & Attribute Storm Drains JB
- Digitize & Attribute SSD JB
- Digitize & Attribute Open Ditch N/A
- Stamp Plans JB
- Sum drain lengths & Validate JB
- Enter Improvements into Posse JH
- Enter Drain Age into Posse JW
- Sum drain length for Watershed in Posse JW
- Check Database entries for errors JB

Gasb 34 Footages for Historical Cost
Drain Length Log

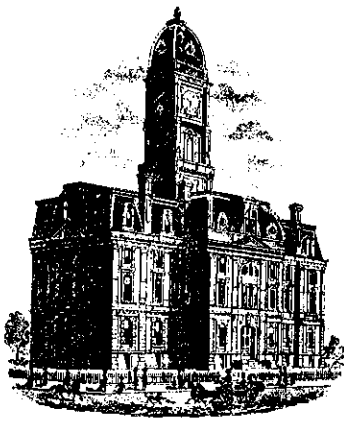
Drain-Improvement: RICHARD MOFFITT DRAIN - LEXINGTON FARMS - SECTION 11

Drain Type:	Size:	Length <small>SURVEYOR'S REPORT</small>	Length (DB Query)	Length Reconcile	If Applicable	
					Price:	Cost:
RCP	12"	219'	219'	Ø		
	15"	34'	34'	Ø		
TWIN	48"	185'	185'	Ø		

Sum: 438' 438' Ø _____

Final Report: _____

Comments:



SURVEYOR'S OFFICE
Hamilton County

Kenton C. Ward, Surveyor

776-9626

942 Maple Avenue

Noblesville, Indiana 46060

December 20, 1990

TO: Hamilton County Drainage Board

RE: Richard Moffitt Drain-Lexington Farms Arm-Section 11

Attached is a petition, non-enforcement request, plans, calculations, quantity summary and assessment roll for the Richard Moffitt Drain-Lexington Farms Arm-Section 11.

I have reviewed the submittals and petition and have found each to be in proper form.

I have made a personal inspection of the land described in the petition. Upon doing so, I believe that the drain is practicable; will improve the public health; benefit a public highway and be of public utility; and that the costs, damages and expenses of the proposed drain will probably be less than the benefits accruing to the owners of land likely to be benefited. The drain will consist of the following:

12" RCP 219 feet 15" RCP 34 feet Twin 48" RCP 185 feet

The total length of the drain will be 438 feet.

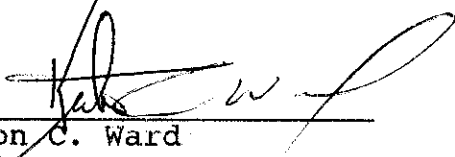
The above lengths reflect lineal footage as shown on the profile. When pipe is side by side only the length of one pipe is used so as not to double the drain length. Subsurface drains (SSD) in this section will not be maintained as part of the regulated drain.

I have reviewed the plans and believe the drain will benefit each lot equally. Therefore, I recommend each lot be assessed equally. I recommend a maintenance assessment of \$30.00_per lot, \$5.00_per acre for roadways, with a \$30.00__minimum. With this assessment the total annual assessment for the drain/this section will be \$570.00_____.

The retention areas shown on the attached plan (Lakes 9 and 10) will not be maintained as part of the regulated drain. These are to be maintained by the Homeowners Association with only the inlet and outlet maintained as part of the regulated drain.

A portion of the storm sewer system in this section is replacing part of the existing Richard Moffitt Drain. Station 29+60 to 35+50 will be replaced with this section. Station 28+60 to 29+60 was replaced with Section 10 and Station 35+50 to 48+00 was replaced with Sections 2,4,6, and 9. These locations were approved at a hearing held by the Board on July 13, 1987.

I recommend a hearing be set for February 19, 1991, also recommend the Board approve the attached non-enforcement at time of hearing if the petition is approved.



Kenton C. Ward
Hamilton County Surveyor

KCW/no

Phone 321-3000
Fax 321-7965

BANK ONE

BANK ONE, INDIANAPOLIS, NA
Indianapolis, Indiana 46277

September 18, 1990

Irrevocable Credit No. S-3947-G
The City of Carmel and
the Hamilton County Commissioners
Carmel, Indiana

Gentlemen:

We hereby authorize you to value on us for the account of
Davis Financial Investments, Ltd.
an Indiana Limited Partnership
8200 Haverstick Road, Suite #250
Indianapolis, Indiana 46240

For a sum or sums in U.S. Dollars not exceeding a total of: Forty Thousand Five
Hundred Twelve and 10/100.
*****\$40,512.10

Available by drafts at sight drawn on Bank One, Indianapolis, NA, Indianapolis,
Indiana and accompanied by:

PURPOSE: Lexington Farms Sect #11 - Storm Sewers.

Drafts must be presented to the drawee not later than September 17, 1991 at our
counters.

All drafts must be marked, "Drawn under Bank One, Indianapolis, NA,
Indianapolis, IN Credit No.S-3947-G".

We hereby agree with you that drafts drawn under and in compliance with the
terms of this credit shall be duly honored on due presentation to the drawee.

This credit is subject to Uniform Customs and Practice for Documentary Credits
(1983 Revision) ICC Publication No. 400.

Yours very truly,

Bank One, Indianapolis, NA


Authorized Signature

CERTIFICATE OF COMPLETION AND COMPLIANCE

TO: HAMILTON COUNTY SURVEYOR

RE: Lexington Farms Section 11

I hereby certify that:

- 1.) I am a Registered Engineer in the State of Indiana,
- 2.) I am familiar with the plans and specifications for the above referenced subdivision,
- 3.) I have personally observed and supervised the completion of the Drainage Facilities for the above referenced subdivision, and
- 4.) To the best of my knowledge, information and belief, the Drainage Facilities within the subdivision has been installed and completed in conformity with all plans and specifications.

Signature: Christopher R. White Date: April 18, 1991

Type or Printed Name: Christopher R. White

Business Address: Paul I. Cripe, Inc.

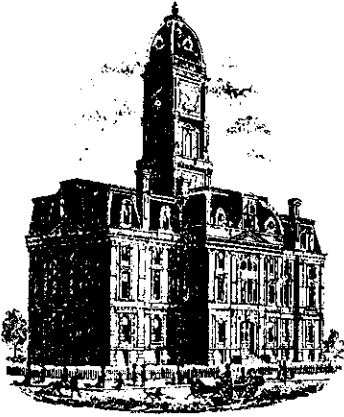
7172 Graham Road / Indianapolis, IN 46250

Telephone: 842-6777



INDIANA REGISTERED NUMBER

20491



SURVEYOR'S OFFICE
Hamilton County

Kenton C. Ward, Surveyor

Suite 146

776-8495

One Hamilton County Square

Noblesville, Indiana 46060-2230

July 8, 1994

TO: Hamilton County Drainage Board

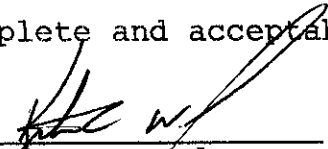
RE: Richard Moffitt Drain-Lexington Farms Section 11 Arm

Attached are as-builts, certificates of completion and Compliance and other information for Lexington Farms Section 11 Arm. An inspection of the drainage facilities for this section has been made and the facilities were found to be complete and acceptable.

During construction of the drain there were not any significant changes made to the plans submitted with my report date December 20, 1990. Therefore, the length of the drain remains at 438 feet. The non-enforcement of easement was approved by the Board at it's meeting on March 18, 1991.

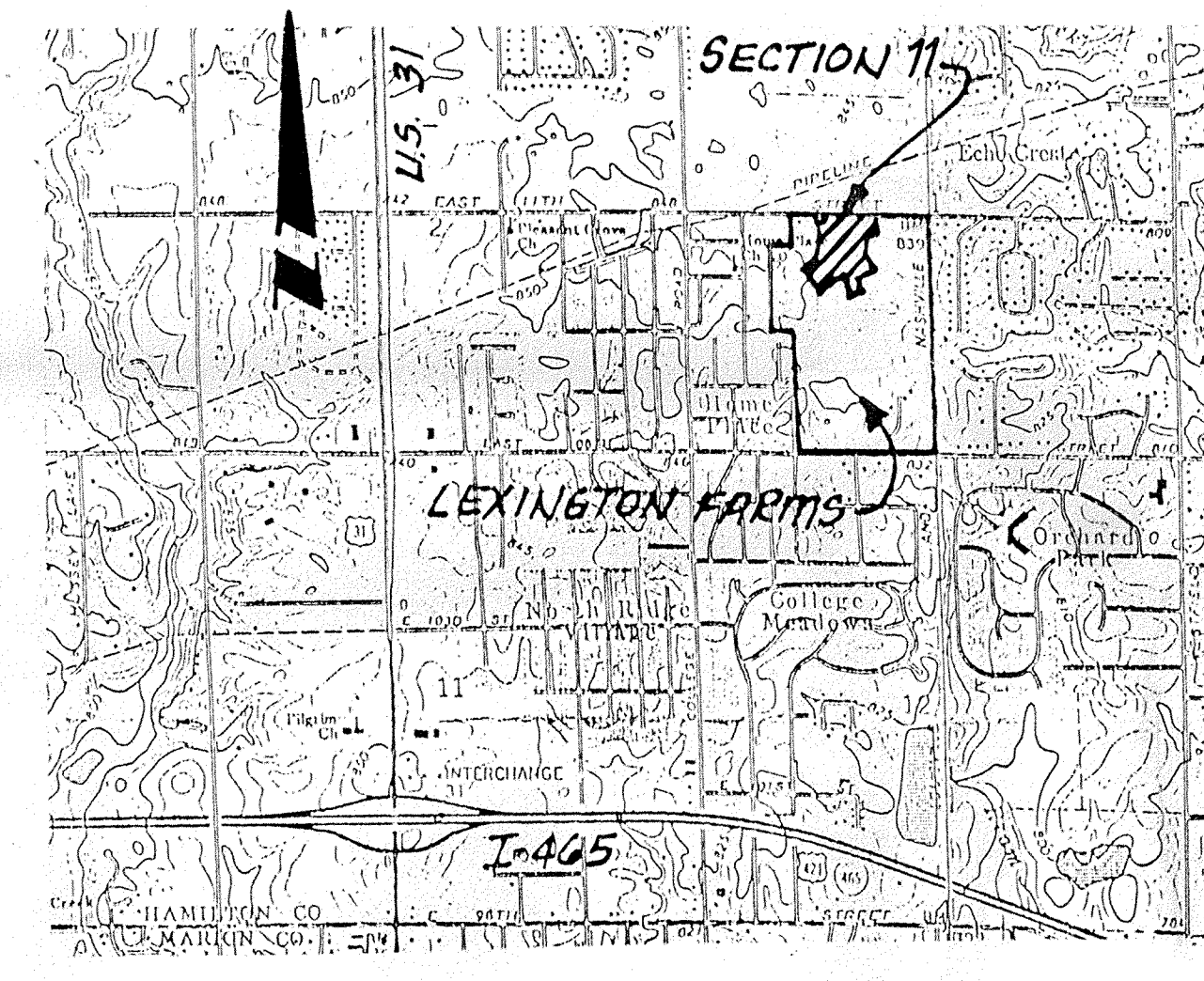
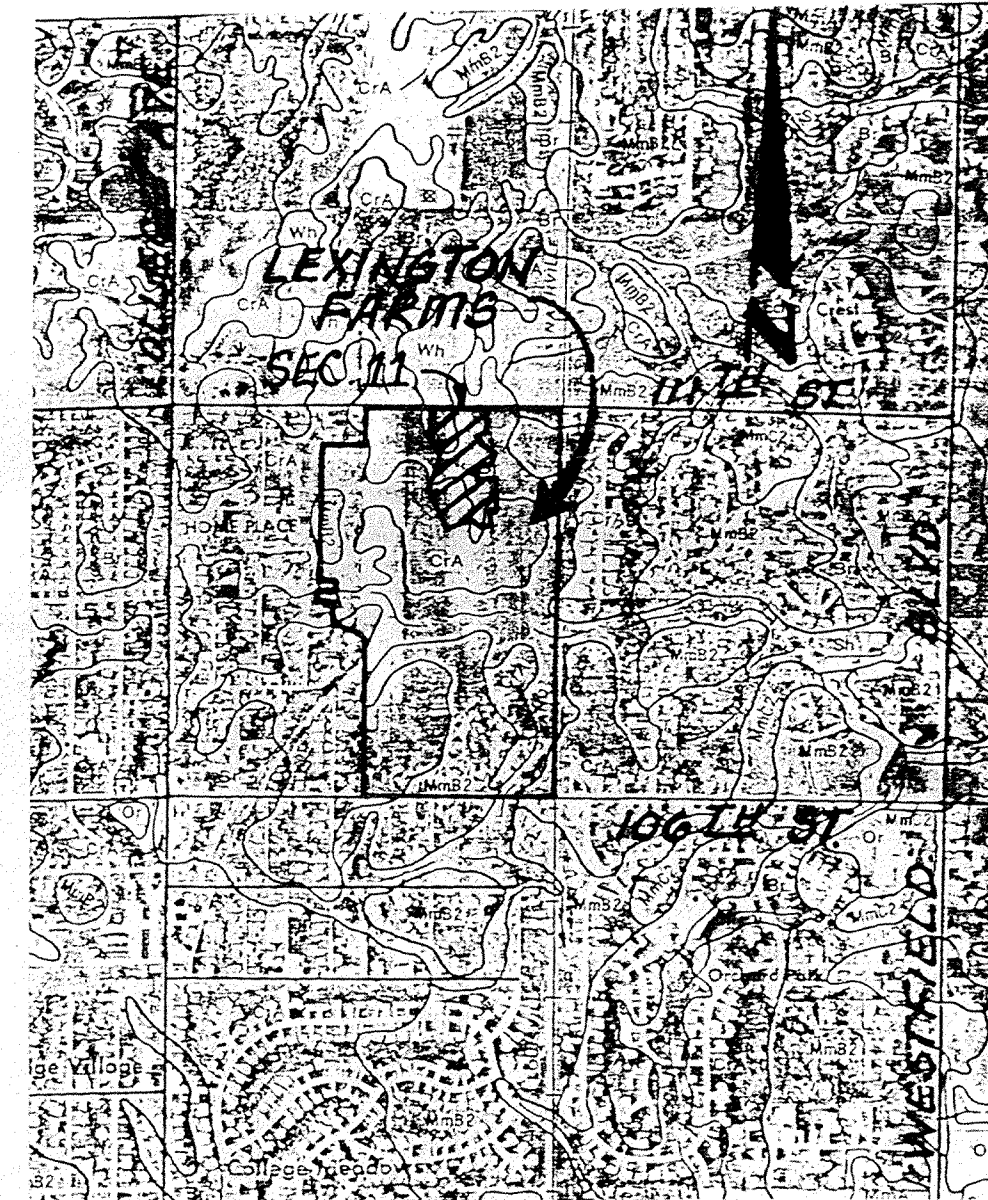
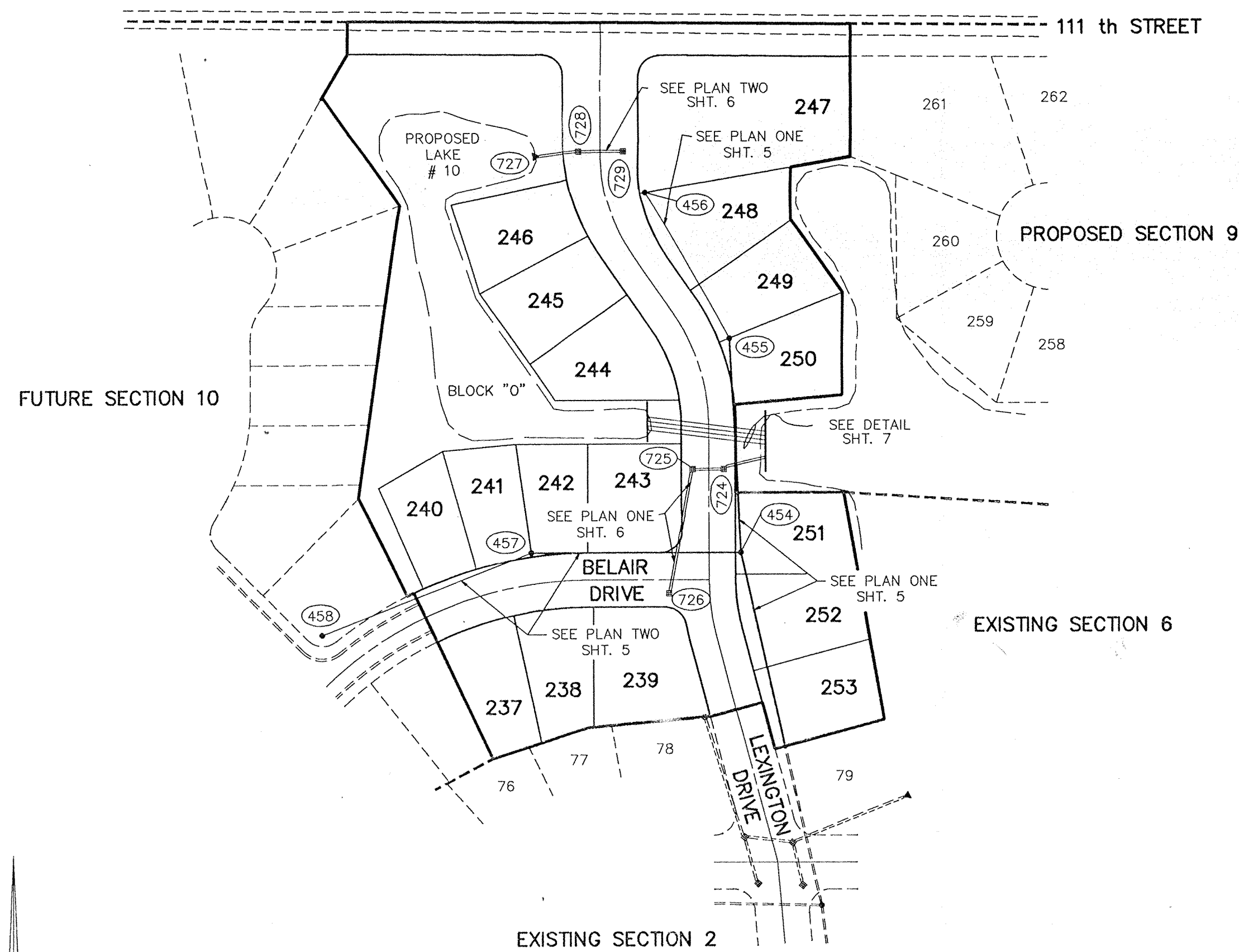
The bond or letter of credit from Bank One, number S-3947-G dated September 18, 1990, in the amount of \$40,512.00 has been released.

I recommend the Board approve the drains construction as complete and acceptable.


Kenton C. Ward
Hamilton County Surveyor

CONSTRUCTION PLANS FOR LEXINGTON FARMS - SECTION 11

17 LOTS
633 L.F. - LEXINGTON DRIVE
253 L.F. - BELAIR CIRCLE



SITE WORK GENERAL NOTES AND SPECIFICATIONS

NOTICES AND PERMITS

- A. THE CONTRACTOR SHALL BE RESPONSIBLE FOR OBTAINING, OR VERIFYING, THAT ALL PERMITS AND APPROVALS ARE OBTAINED FROM THE RESPECTIVE CITY, COUNTY AND STATE AGENCIES PRIOR TO STARTING CONSTRUCTION.
- B. IT SHALL BE THE CONTRACTORS RESPONSIBILITY TO DETERMINE THE EXACT LOCATION OF ALL EXISTING UTILITIES IN THE VICINITY OF THE CONSTRUCTION AREA PRIOR TO STARTING CONSTRUCTION.
- C. IT SHALL BE THE CONTRACTORS RESPONSIBILITY FOR NOTIFICATION AND COORDINATION OF ALL CONSTRUCTION WITH RESPECTIVE UTILITY COMPANIES.
- D. IT SHALL BE THE RESPONSIBILITY OF THE DEVELOPER AND CONTRACTOR TO MAINTAIN QUALITY CONTROL THROUGHOUT THE PROJECT; FAILURE TO DO SO MAY RESULT IN REMOVAL AND REPLACEMENT OF THE DEFECTIVE WORK. IT IS RECOMMENDED THAT THE DEVELOPER HAVE A QUALIFIED INSPECTOR ON THE JOB SITE AT ALL TIMES DURING CONSTRUCTION.
- E. IT IS ESSENTIAL THAT THE WORK TO BE DONE IN CONJUNCTION WITH THIS PROJECT SHALL BE INSTALLED ACCORDING TO THESE SPECIFICATIONS. THE ENGINEER WILL BE REQUIRED TO CERTIFY TO CERTAIN PORTIONS OF THIS PROJECT UPON COMPLETION. THEREFORE, IT IS NECESSARY TO OBTAIN APPROVAL AND ACCEPTANCE BY THE CITY THAT CONSTRUCTION WAS DONE IN COMPLIANCE WITH THESE PLANS AND SPECIFICATIONS.

This information was gathered for input into the Hamilton County Geographical Information System. This document is considered an official record of the City.
Entry Date: 4-26-91
Entered by: JDH

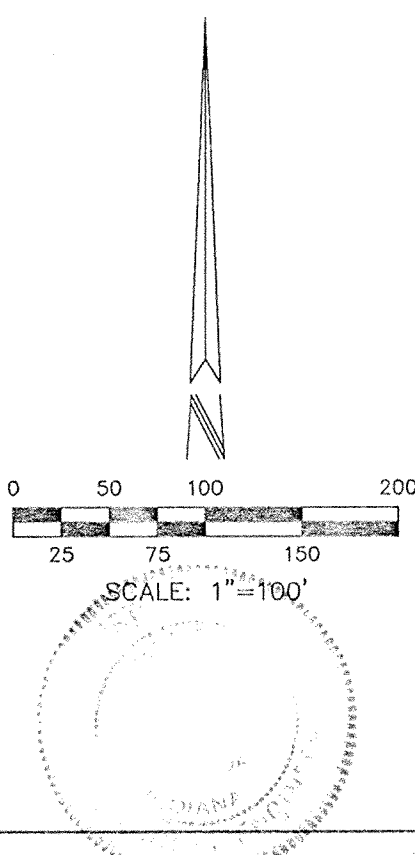
OWNER/DEVELOPER

DAVIS DEVELOPMENT CORP.
8200 HAVERSTICK ROAD, SUITE 250
INDIANAPOLIS, INDIANA 46240
(317) 253-7474

RECORD DRAWING

DATE SUBMITTED : 3-30-90

FILE NAME: D:\LEX19\A1



INDEX	
SHT	DESCRIPTION
1	COVER SHEET
2	SITE DEVELOPMENT PLAN
3	STREET PLAN & PROFILE
4	STREET DETAILS
5	SANITARY PLAN & PROFILE
6	STORM PLAN & PROFILE
7	STORM PLAN, PROFILE & DETAILS
8	EROSION CONTROL PLAN
9	STANDARD DETAILS
10	STANDARD SPECIFICATIONS
11	LANDSCAPE PLAN
12	LANDSCAPE DETAILS

BENCHMARKS

T.B.M. - TOP OF BOLT N.E. CORNER OF R.R. SIGNAL 13' SOUTH OF C. OF E. 106th ST. & 13' W. OF C. OF R.R. TRACKS ELEV. = 832.93
B.M. - USC & GS Y-42, 1943 BRONZE DISC SET IN CONC., 215' S. OF E. 111th ST. & 9' E. OF R.R. ELEV. = 839.03

REVISIONS

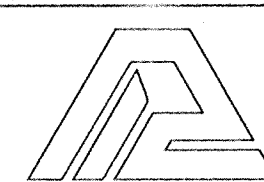
6-14-90 REV. SHT.S 1-9 GSD
12-17-90 REV. SHT. 2
2-26-91 ADDED AS-BUILT INFO (STORM) DJS

FILED

APR 24 1991

OFFICE OF HAMILTON COUNTY SURVEYOR

CERTIFIED BY: <i>Christopher R. White</i> 6-19-90 DATE	REVISIONS 6-14-90 REV. PER DRAFT. CK. GSD
--	--



PAUL I. CRIFE, INC.

7172 GRAHAM ROAD
INDIANAPOLIS, INDIANA 46250
(317) 842-6777

- CIVIL ENGINEERING
- LAND SURVEYING
- ARCHITECTURE
- LAND PLANNING

TECH. CHK: JG
DRFTNG. CHK: DJS

DRAWN BY: GSD
DRAWING TITLE: COVER SHEET

SCALE: AS NOTED

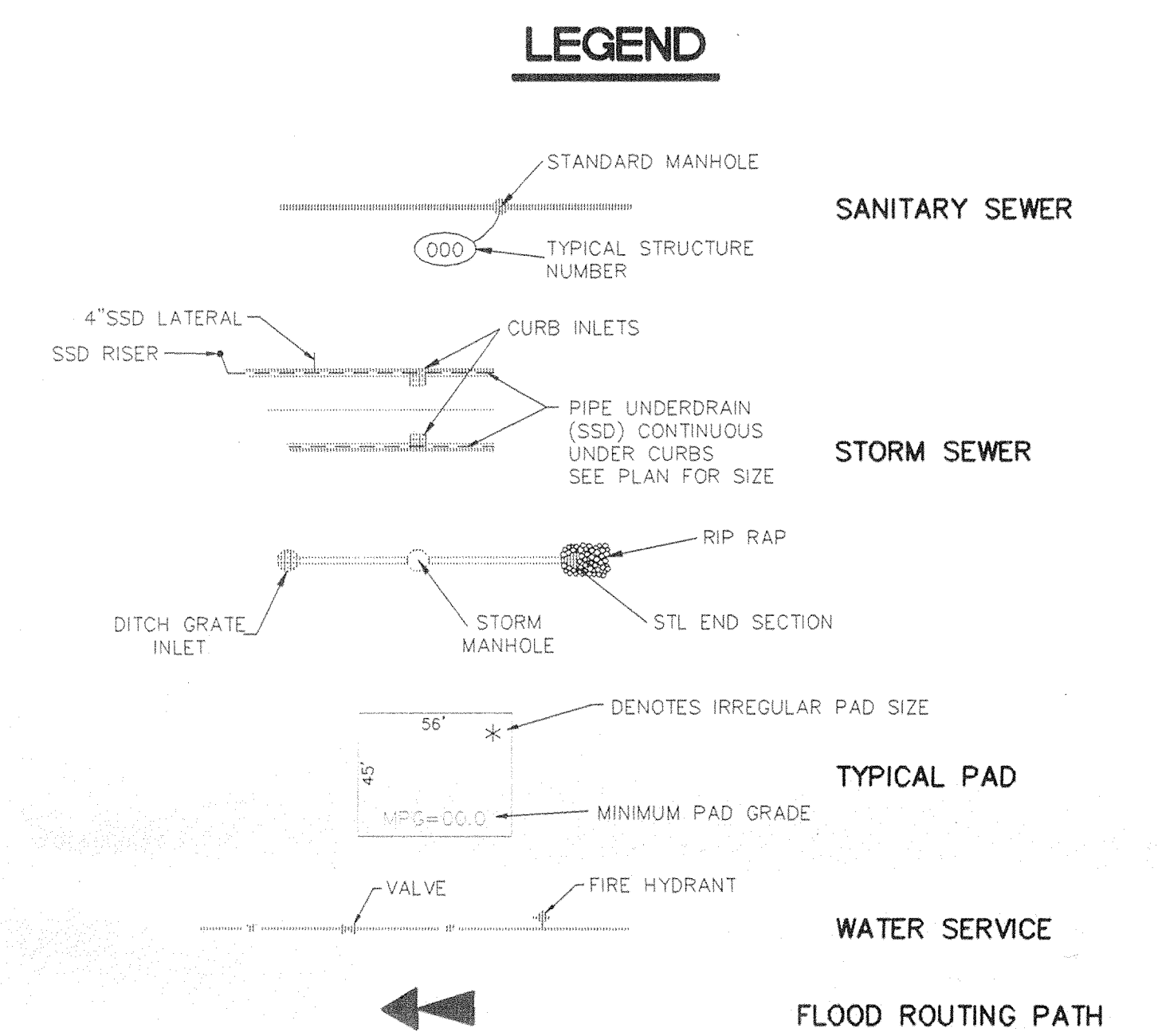
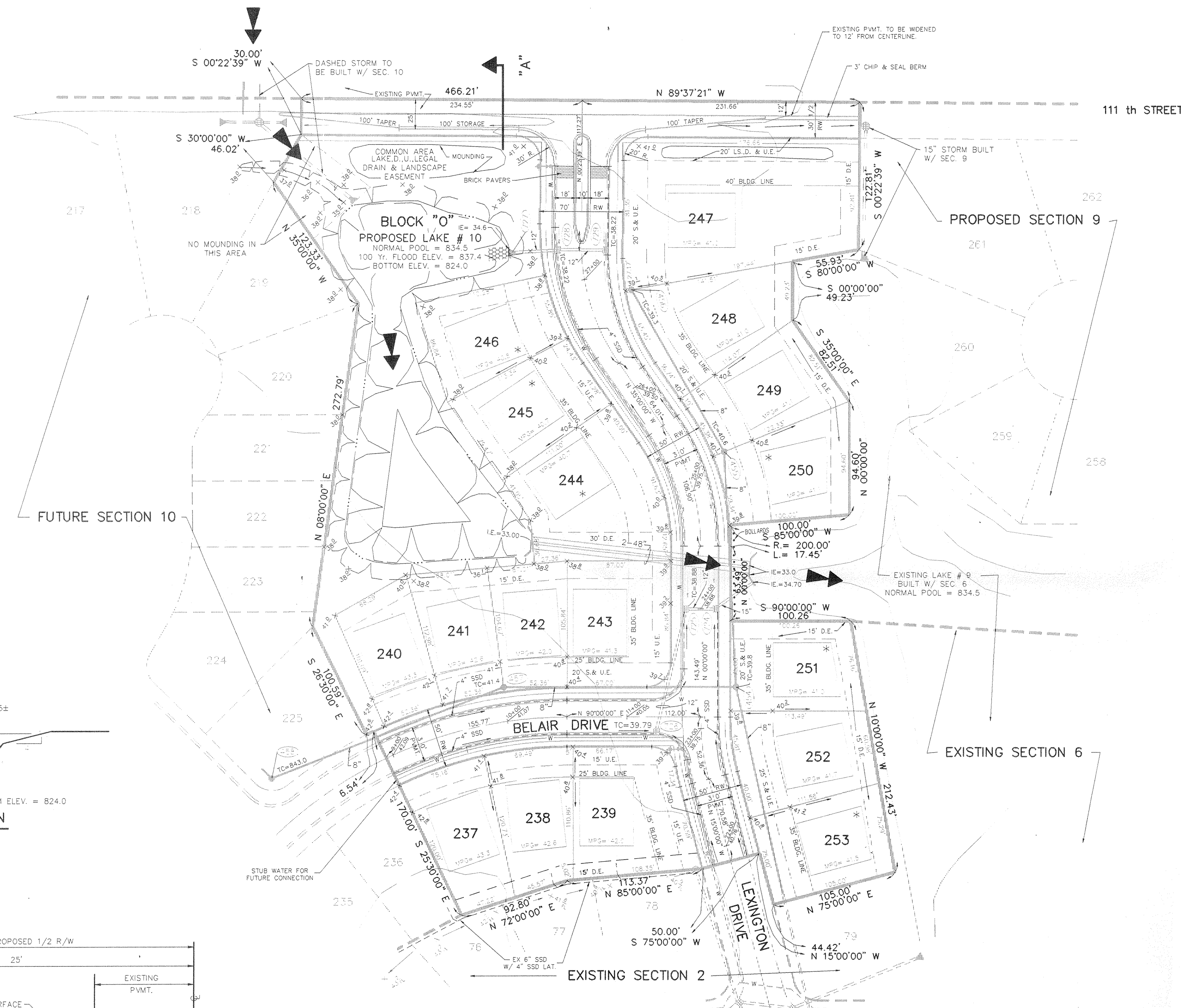
DATE: 3-29-90

CLIENT: DAVIS DEVELOPMENT CORP.

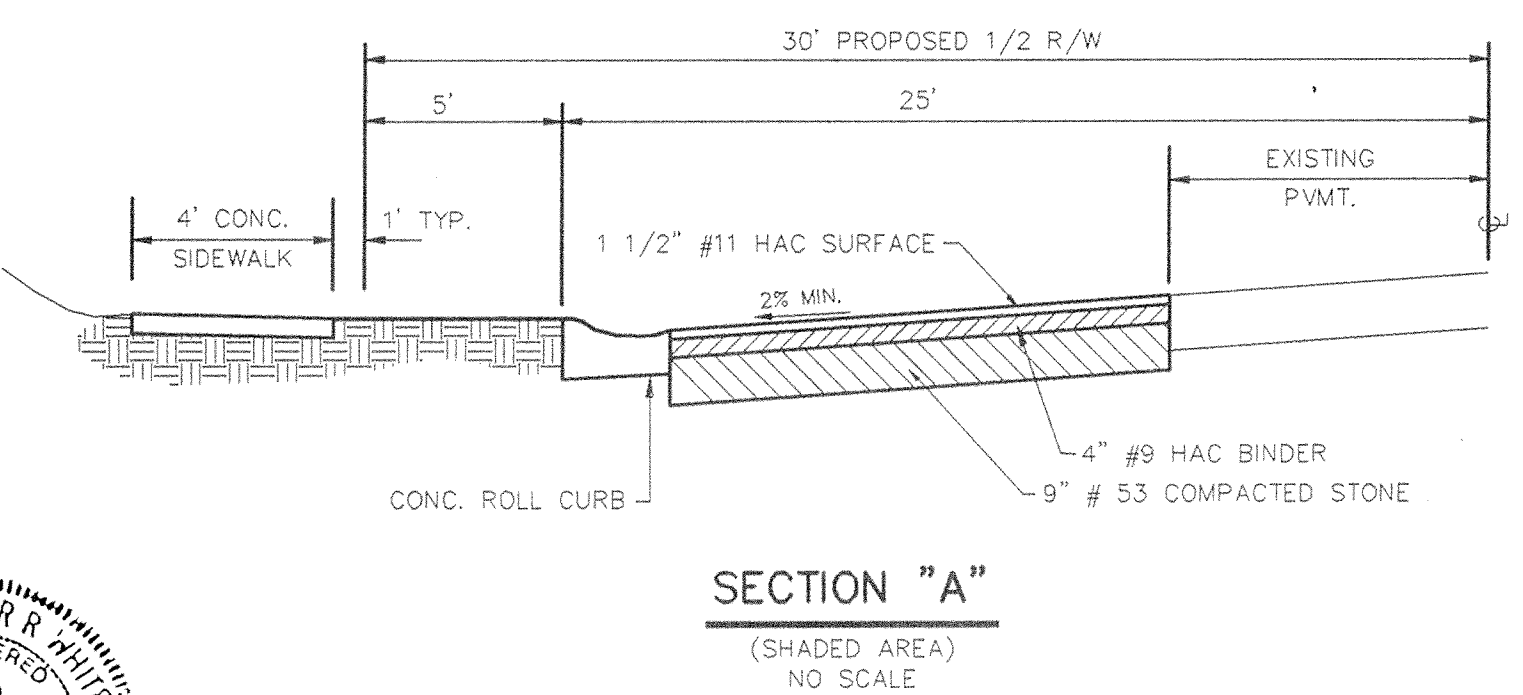
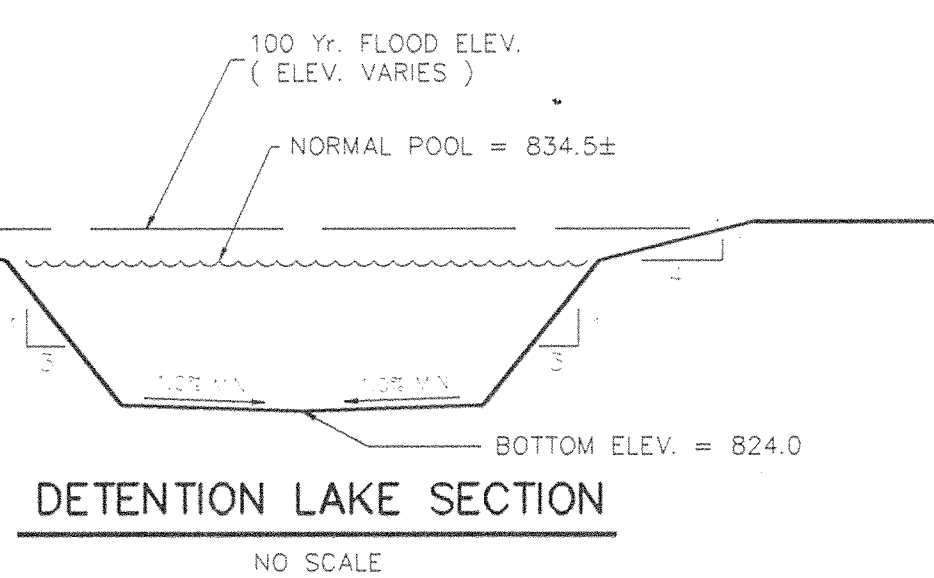
JOB NUMBER: 87339-01100

DWG. TYPE	FILE NUMBER	SHEET:
		1
JOB NUMBER		OF 12
87339-01100		

NOTE: 111th STREET TO BE WIDENED TO 12' SOUTH FROM CL FROM EAST PROPERTY LINE TO WEST PROPERTY LINE. PLACE A 3' WIDE CHIP & SEAL SHOULDER ALONG SOUTH EDGE OF WIDENING.



- NOTE: 1. BEARINGS, DIMENSIONS, AND EASEMENTS ARE SHOWN FOR REFERENCE ONLY AND DO NOT NECESSARILY DEPICT ACTUAL RECORDED INFORMATION. SEE RECORDED PLAT FOR EXACT INFORMATION.
2. UNLESS A NATURAL OUTLET EXISTS, EACH LOT WILL BE PROVIDED A 4" SSD LATERAL FOR FOUNDATION DRAINS. ROOF GUTTERS OR ANY OTHER DRAINAGE STRUCTURES ARE NOT TO BE CONNECTED TO THIS SSD SYSTEM. WHERE MORE THAN ONE LATERAL CONNECTS TO MAIN SSD LINE UNDER CURB, MAIN LINE SHALL BE 6" PERFORATED PVC. IF NOT MORE THAN ONE LATERAL CONNECTS TO MAIN LINE, SSD SHALL BE 4" PERFORATED PVC. ALL SSD LATERALS ARE TO BE 4" NON-PERFORATED PVC. SEE DETAILS, SHT. 8
3. ELEVATIONS SHOWN AT CENTERLINE OF STREET ARE TOP OF CURB ELEVATIONS AT THAT RESPECTIVE STATION.
4. WATER MAINS ARE SHOWN FOR REFERENCE ONLY. TO BE DESIGNED AND INSTALLED BY INDIANAPOLIS WATER CO.
5. NO WATER SHALL BE PERMITTED TO FLOW INTO THE SANITARY PIPES WHILE UNDER CONSTRUCTION.
6. EROSION CONTROL BLANKET REQUIRED:
 @ TOP OF BANKS W/ SLOPES STEEPER THAN 4:1 SLOPE & FOR SIDE YARD SWALES THAT ENTER THE LAKE.
7. LOTS BY THE LAKE ARE TO HAVE THE MINIMUM FINISHED FLOOR ELEV. 8" ABOVE THE PROPOSED MFG (MIN. PAD GRADE) SHOWN ON SITE PLAN.
8. NO MOUNDING ALLOWED ON DRAINAGE SWALES.
9. LANDSCAPE MOUNDINGS ARE TO BE 3" HIGH OR LESS.
10. TOPO SUPPLIED BY MID STATES ENGINEERING, DATED 4-2-87



HAMILTON COUNTY INDIANA

This information was gathered for input into the Hamilton County Geographical Information System. This document is considered an official record of the GIS.

Entry Date: 4-26-91

Entered by: JDH

FILED

APR 24 1991

OFFICE OF HAMILTON COUNTY SURVEYOR

FILE NAME: D:\LEX\11B1

DATE: 12-27 11:10 AM

REGISTERED PROFESSIONAL ENGINEER

Christopher R. White

No. 20491

STATE OF INDIANA

DATE: 6-19-90

REVISIONS	
3-2-90 REV. SIDEWALK LOC. PER HAM. CO. HIGHWAY & SURVEYORS	12-17-90 REVISED PER PLAT 1
OFFICE COMMENTS	
5-14-90 REV. PER DRAFTING CK.	GSD
8-1-90 REVISED LAKE LAYOUT & LOTS 242-244 & 245	JAR

PAUL I. CRIFE, INC.

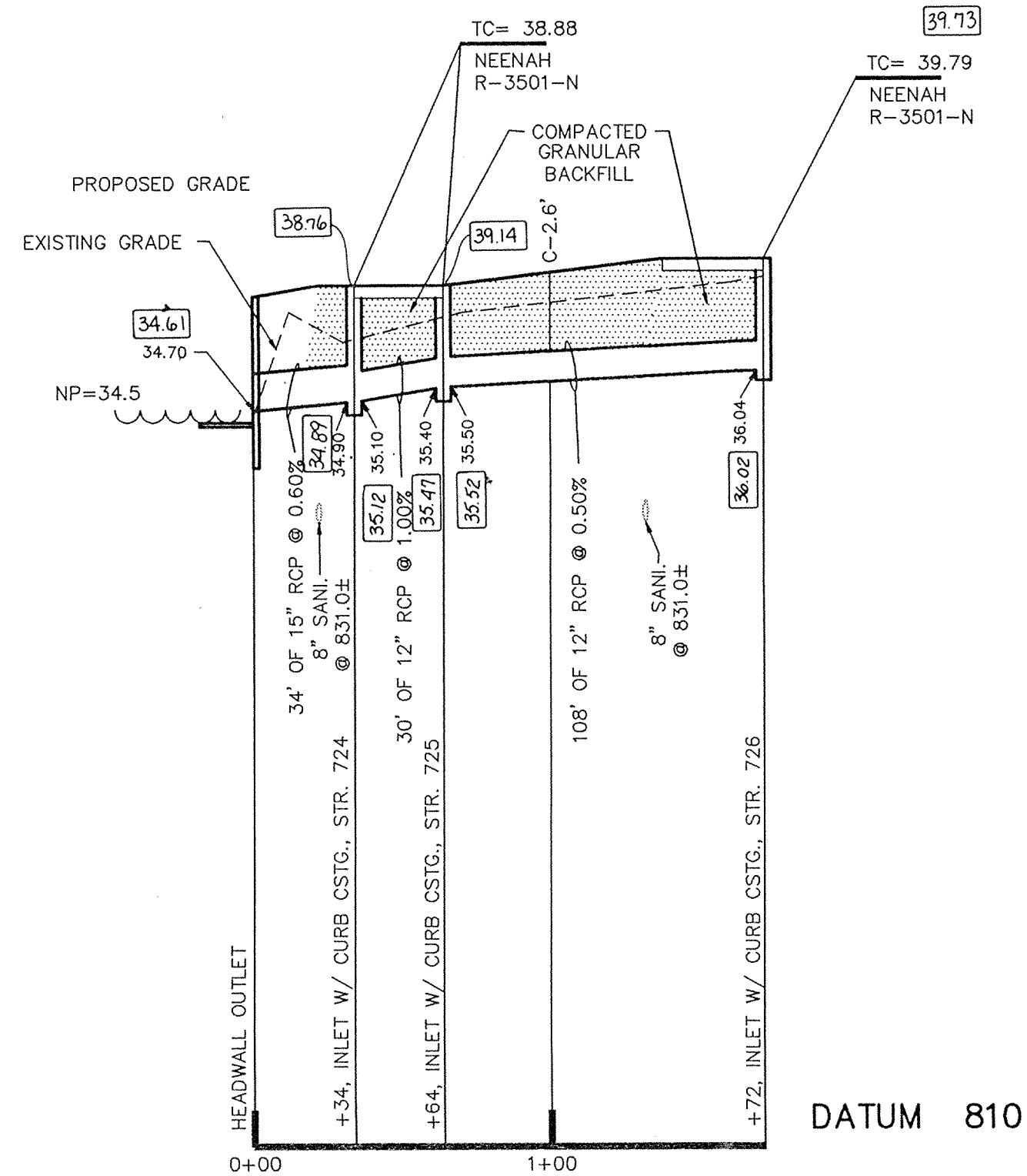
7172 GRAHAM ROAD
 INDIANAPOLIS, INDIANA 46250
 (317) 842-6777

- CIVIL ENGINEERING
- LAND SURVEYING
- ARCHITECTURE
- LAND PLANNING

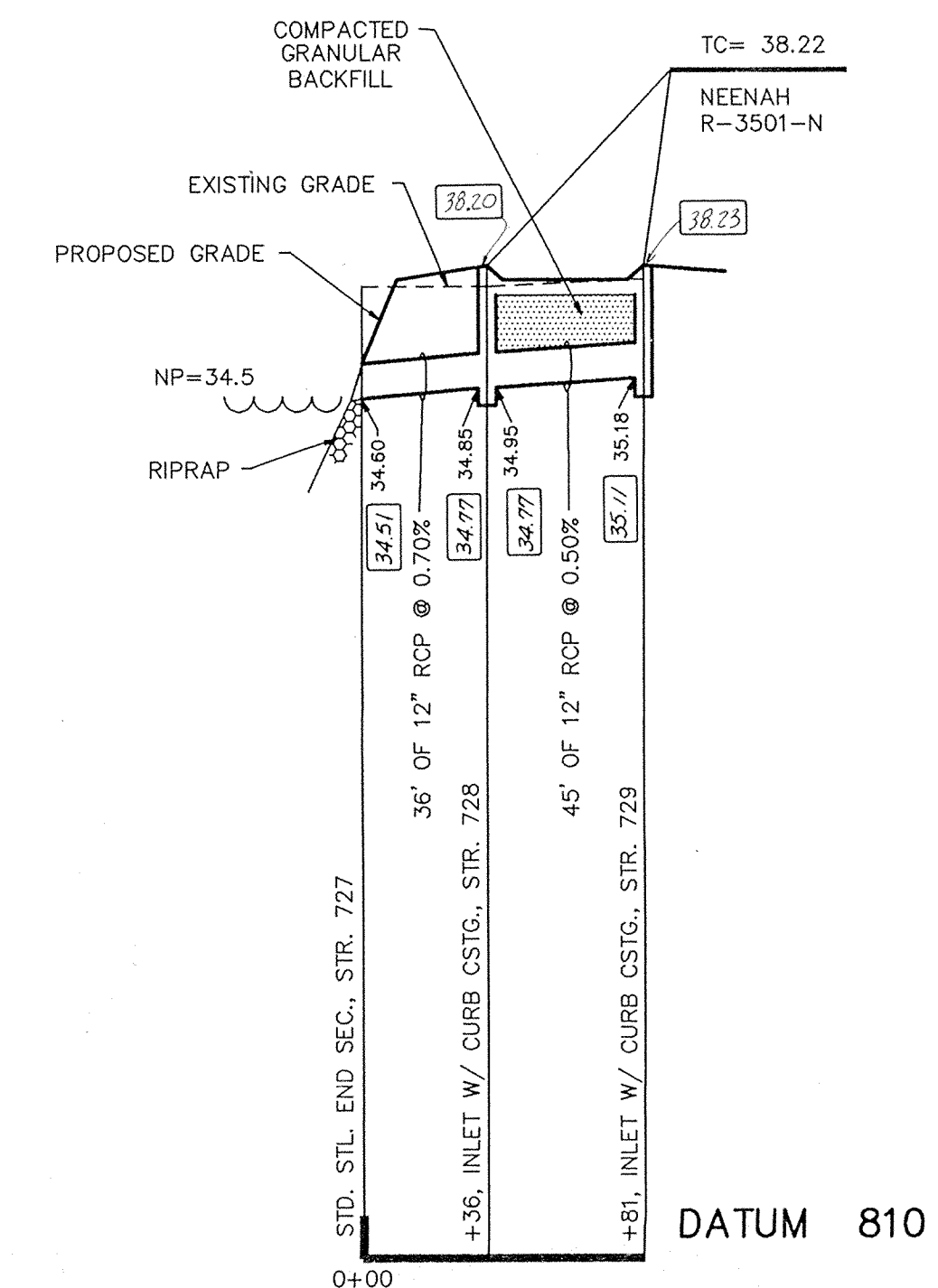
TECH. CHK.:
 DRAWN BY: GSD
 SCALE: 1" = 50'
 DATE: 3-29-90
 CLIENT: DAVIS DEVELOPMENT CORP.

DRAFTING CHK.:
 DRAWING TITLE: **SITE DEVELOPMENT PLAN**

LEXINGTON FARMS SECTION 11	
DWG. TYPE	FILE NUMBER
JOB NUMBER	
87339-01100	
SHEET: 2 OF 12	

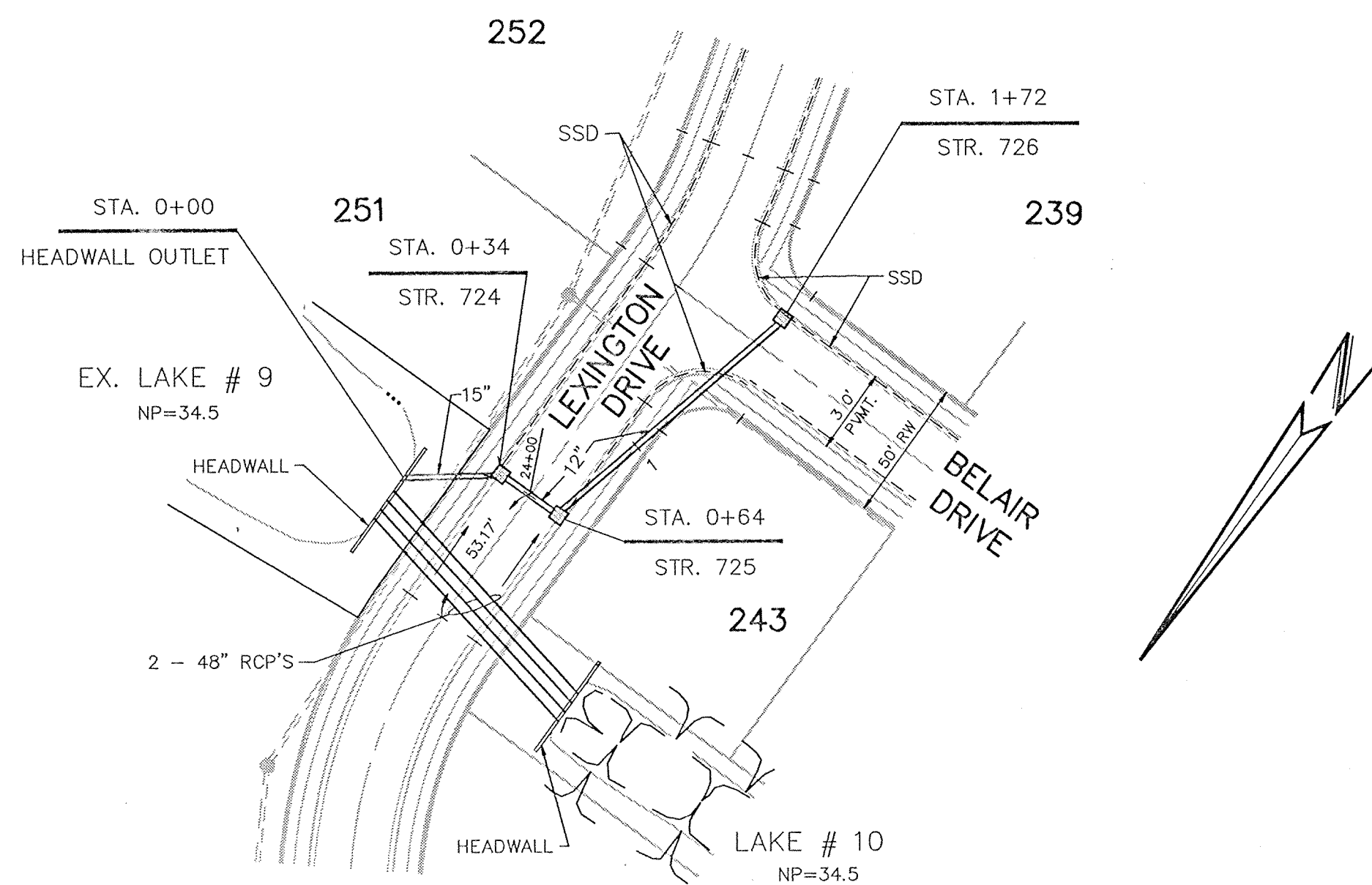


PROFILE ONE

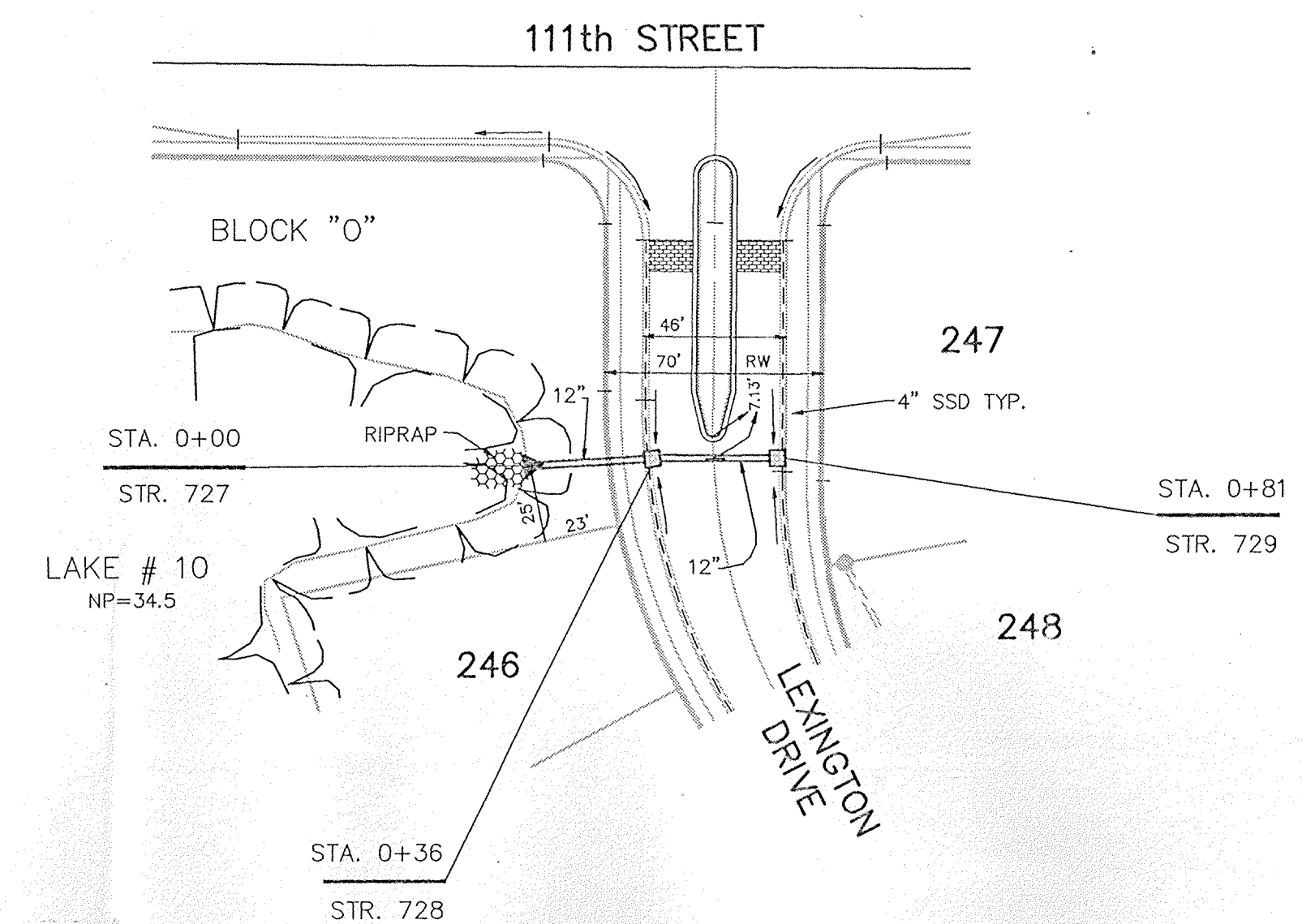


PROFILE TWO

- NOTE:
1. CUTS SHOWN ARE APPROXIMATE, TAKEN FROM EXISTING GRADE TO INVERT OF PIPE.
 2. FIELD ADJUSTMENT BY ENGINEER MAY BE REQUIRED AT ALL OUTFALL POINTS TO INSURE PROPER OUTFALL CONDITIONS.
 3. STR. # 723 HAS BEEN ELIMINATED.



PLAN ONE
STR. 723 TO STR. 726



PLAN TWO

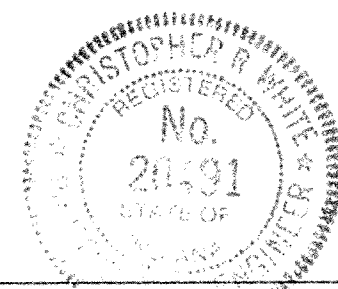
This information was gathered for input into the Hamilton County Geographical Information System. This document is considered an official record of the GIS.

Entry Date: 4-26-09

Entered by: JCH

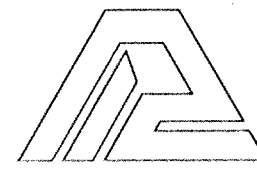
FILED
APR 24 1991
RECORD DRAWING
OFFICE OF HAMILTON COUNTY SURVEYOR

FILE NAME: D:\LEX\11\F1



CERTIFIED BY: Christopher Redwitz
DATE: 6-19-90

REVISIONS	DATE	BY
6-14-90 REV. PER DRAFT CK.		GSD
2-26-91 ADDED AS-BUILT INFO		DJS
4-8-91 ADDED TO AS-BUILTS STR. # 728 & 729		



PAUL I. CRIFE, INC.
INDIANAPOLIS, INDIANA 46250
(317) 842-6777

- CIVIL ENGINEERING
- LAND SURVEYING
- ARCHITECTURE
- LAND PLANNING

TECH CHK: 76
DRAWING CHK: 773

DRAWN BY: GSD

SCALE: H: 1"=50'
V: 1"=5'

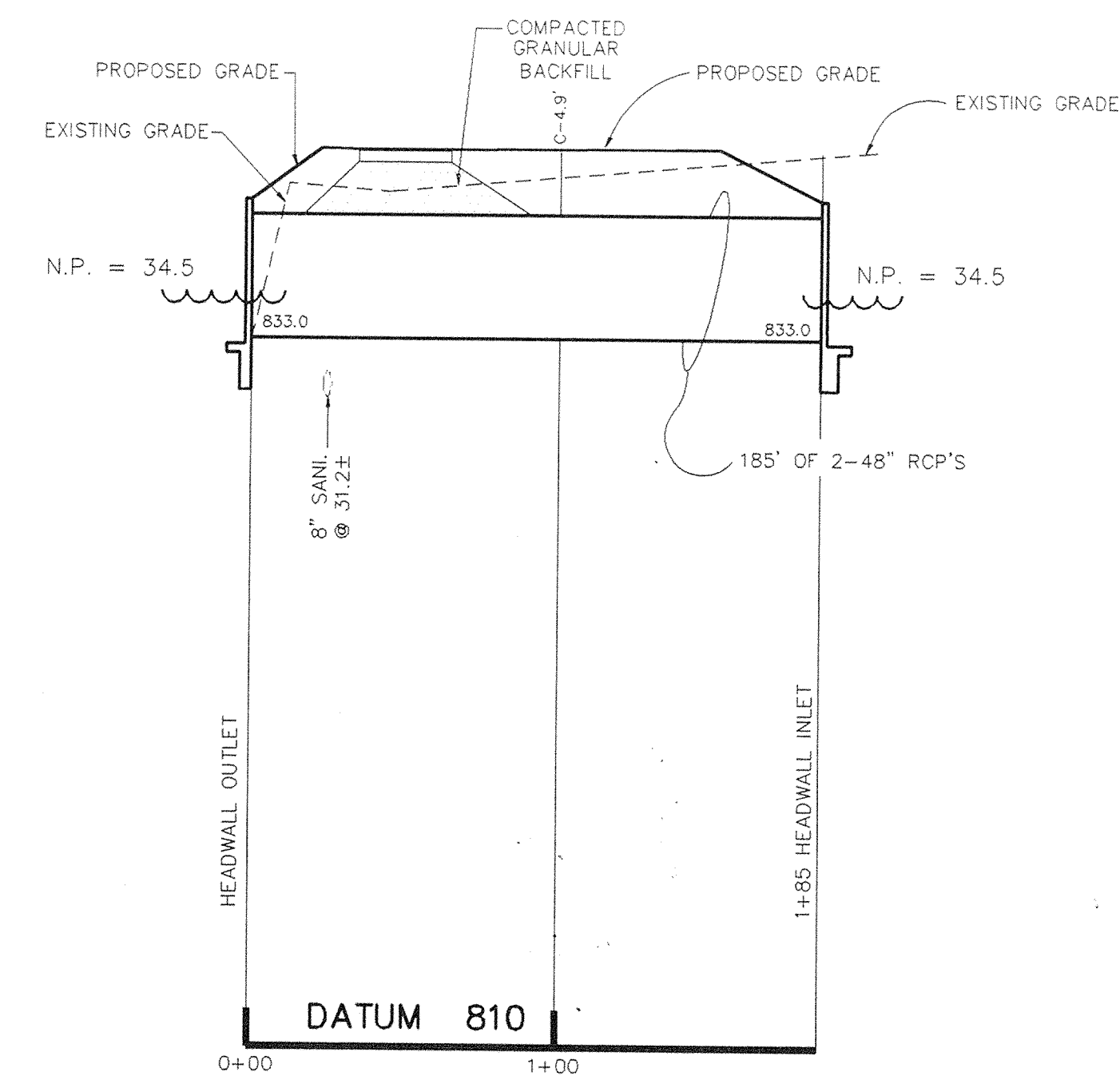
DATE: 3-29-90

CLIENT: DAVIS DEVELOPMENT CORP.

DRAWING TITLE: **STORM SEWER PLAN & PROFILE**

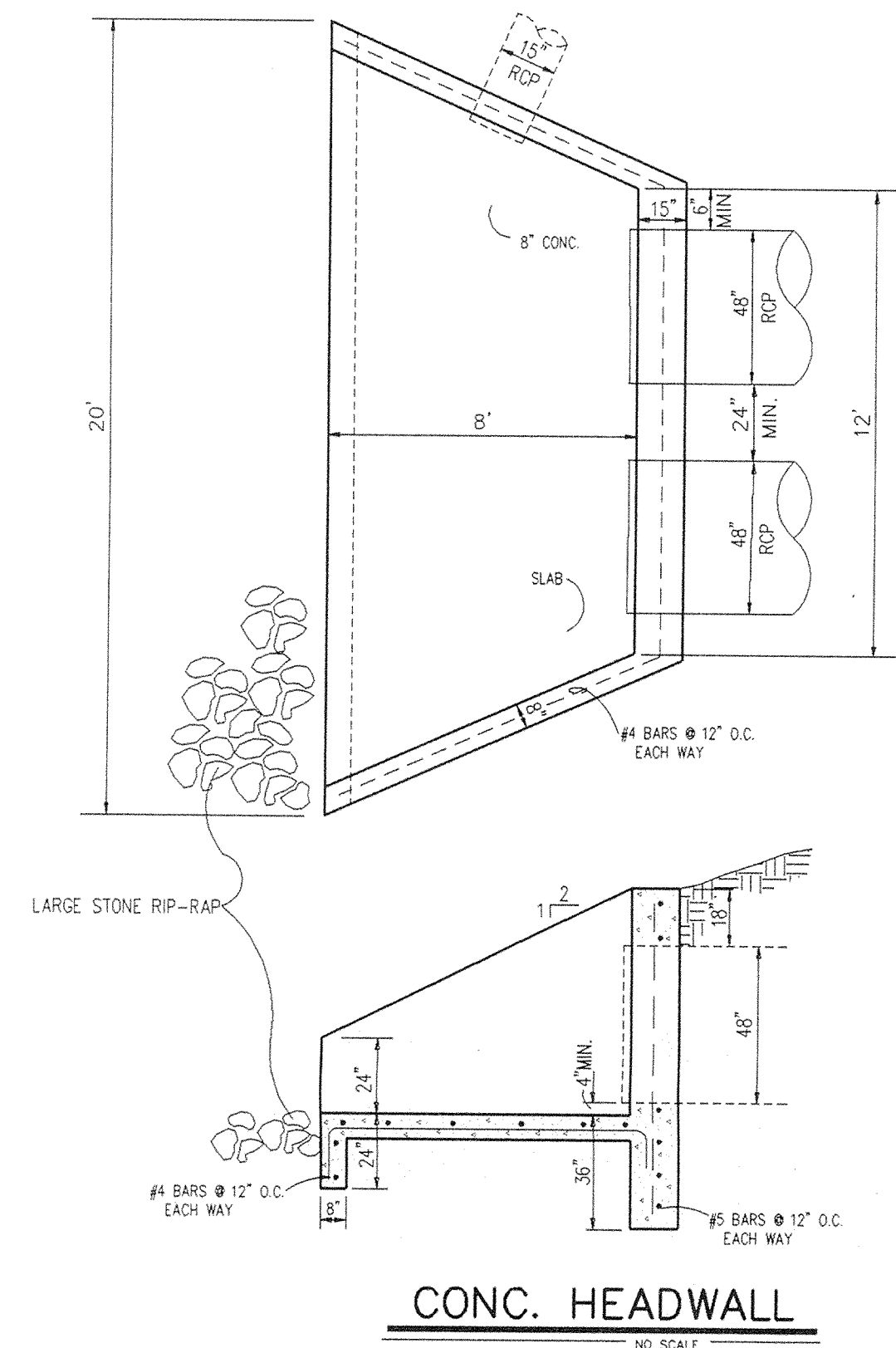
LEXINGTON FARMS SECTION 11

DWG. TYPE	FILE NUMBER	SHEET
		6
JOB NUMBER		
87339--011100		OF 12

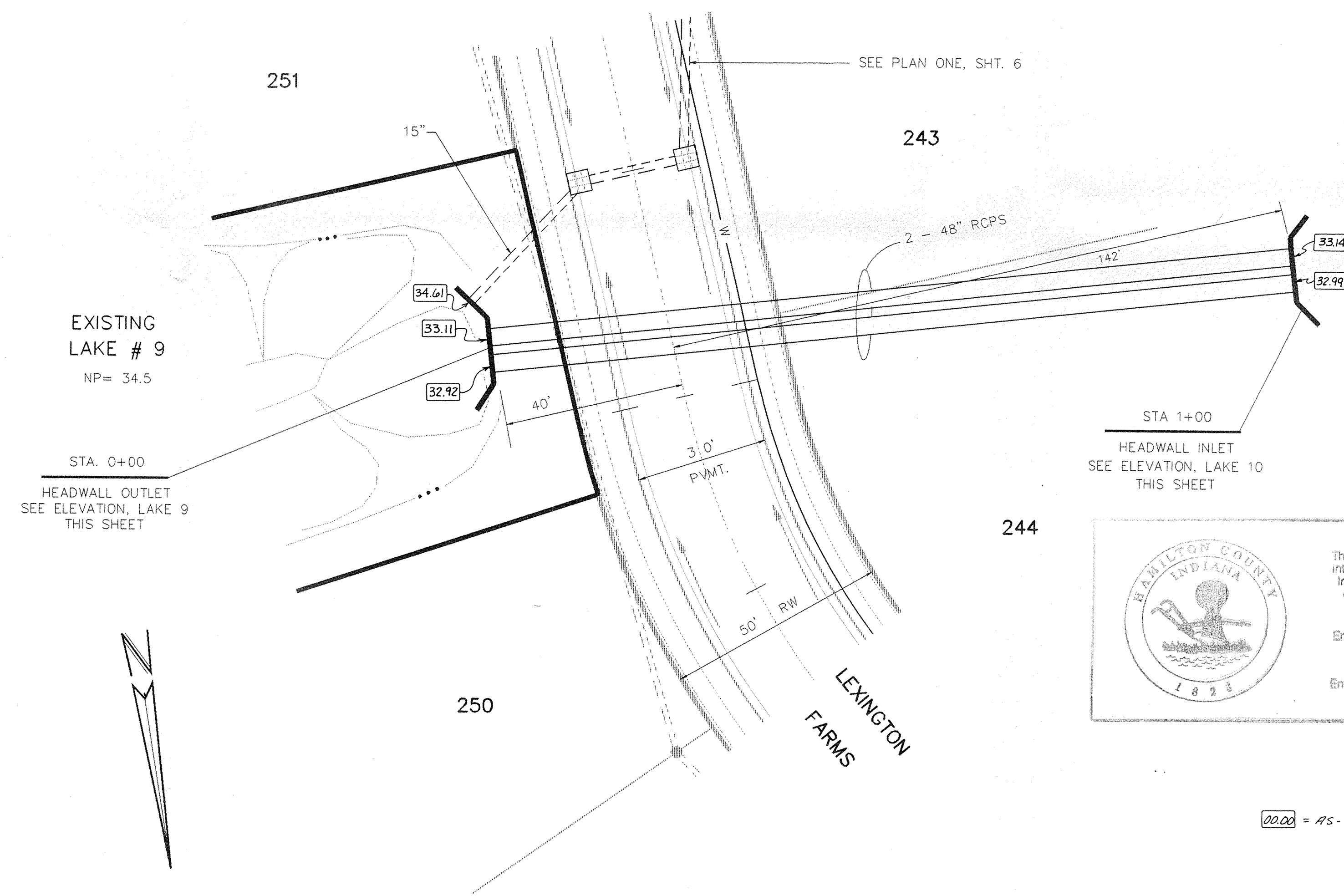


PROFILE ONE

SCALE: V: 1" = 5'
H: 1" = 50'




CONC. HEADWALL



DETAIL ONE

SCALE: 1" = 20'

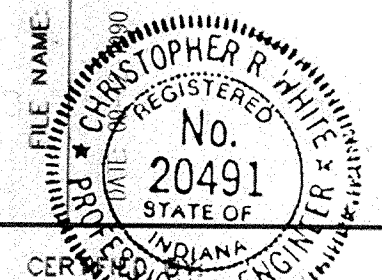

 This information was gathered for input into the Hamilton County Geographical Information System. This document is considered an official record of the GIS.
 Entry Date: 4-26-04
 Entered by: JOH

RECORD DRAWING FILED

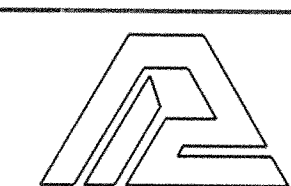
APR 24 1991

OFFICE OF HAMILTON COUNTY SURVEYOR

LEXINGTON FARMS SECTION 11

FILE NAME: D:\LEX11F2
 TIME: 13.35 FILE D:\0338F2

 Christopher R. White
 6-19-90 DATE

REVISIONS	DATE	BY
6-14-90 REV. PER DRAFT, CK.		GSD
2-26-91 ADDED AS-BUILT INFO		WFS



PAUL I. CRIFE, INC.
 7172 GRAHAM ROAD
 INDIANAPOLIS, INDIANA 46250
 (317) 842-6777

- CIVIL ENGINEERING
- LAND SURVEYING
- ARCHITECTURE
- LAND PLANNING

TECH. CHK:	DRAWN BY:	SCALE:	DATE:	CLIENT:
	GSD	AS NOTED	3-29-90	DAVIS DEVELOPMENT CORP.
DRFTNG. CHK:	DRAWING TITLE:	STORM SEWER PLAN, PROFILE & DETAILS		

DWG. TYPE	FILE NUMBER	SHEET:
		7
JOB NUMBER		OF 12
87339-01100		